

NOVA PRO SOFT-CLOSE S16/S19

Full extension slide 40/70 kg



- Excellent running characteristics
- Fully-synchronised slide technology
- Soft-close damping system
- End stop damper
- Utmost lateral stability
- Minimum drawer deflection
- Suitable for all Nova Pro drawer sides

Packaging unit (PU):

211 = 20 items in a cardboard box

507 = 10 items in PE in a cardboard box

Notes:

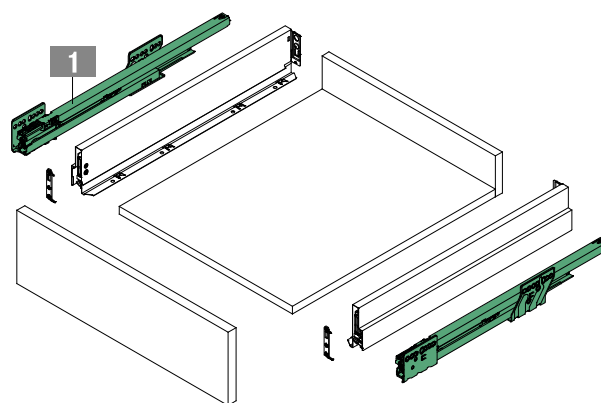
- Used with cabinet side wall S16 and S19 mm
- Construction width 29 mm
- Refer to installation information

ORDER INFORMATION

1 Nova Pro full extension slide Soft-close S16/S19
Set: One left, one right



NL	40 kg				70 kg							
	Art.-no.	PU		Art.-no.	PU							
270	F101108261	507	211	-								
300	F101108264	507	211	-								
350	F101108267	507	211	-								
400	F101108270	507	211	-								
450	F101108273	507	211	F101108285	507	211						
500	F101108276	507	211	F101108288	507	211						
550	F101108279	507	211	F101108291	507	211						
600	F101108282	507	211	F101108294	507	211						
650	-			F101108297	507	211						



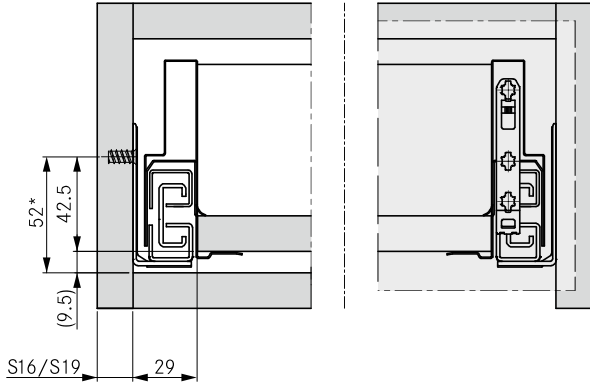
PAGE REFERENCES

Drawer sides	13	Designer panels	62	Sensomatic	79
Inset panels	42	Accessories	64	Organising systems	101
Steel back panels	58	Technical information	72	Assembly technology	114

PLANNING DIMENSIONS

All dimensions in millimetres

Slide installation dimensions

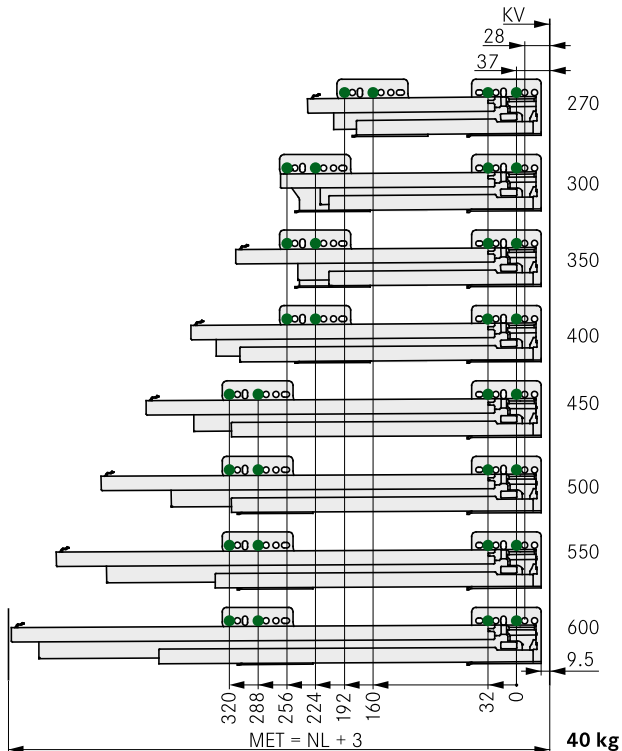


* Recommendation/Minimum dimension: 49.5 mm/Tipmatic Soft-close: 58 mm

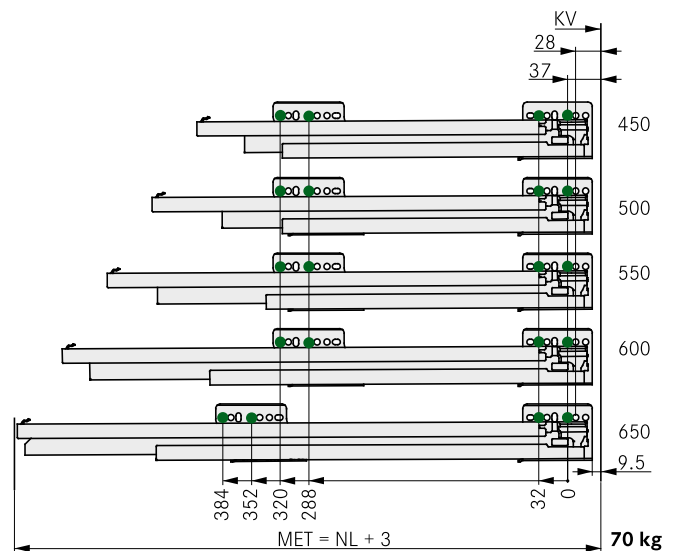
Fixing positions for full extension slide



Euro screw Ø 6 x 13 mm



40 kg



70 kg

LEGEND

- KV Front edge of cabinet
- MET Minimum installation depth
- NL Nominal length
- S Cabinet side wall